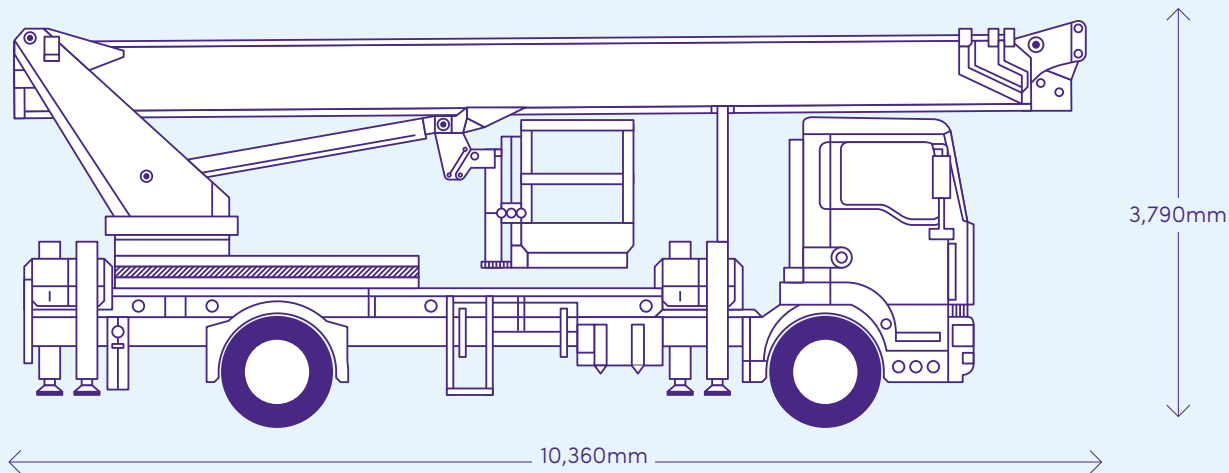


Ruthman Steiger T460

Truck mounted access platform



Specialist Work at Height Solution for everyday work at height problems

The 46m Ruthman Steiger is a proven workhorse capable of delivering on even the most testing of assignment. Operated by a qualified and experienced professional the unit provides a strong and stable work platform with the option of covering high profile sporting events, festivals and significant occasions.

The unit comes in our trademark green livery with minimal corporate lettering - to ensure that it blends into the background.

Standard equipment

18 Tonne

Operator Supplied as Standard

600kg (Approx 7 Persons plus tools) SWL

Extendable Working Cage up to 3.82m

Fully Variable H Frame Jacking - Full, One Sided and Narrow Jacking Options

Automatic Jacking & Cage Levelling with Remote Control

Slew Rotation 500 degrees

230/110v to Cage - Generator Required

Optional equipment

Camera Cage 260kg SWL

RF Feed Rig Attachment

180 Degree Cage Rotation

Load Lift Up System

Ruthman Steiger T460

Truck mounted access platform

Technical specification

Model	Ruthman Steiger T460
Max Working Height	45.9m
Max Side Outreach	31m
Max Negative Height	8m below ground
Travel Length	10.36m
Travel Width	2.5m
Travel Height	3.79m
Vehicle Weight	18 tonnes
Max Outrigger Width	
Fully Jacked	6.41m
One-sided Jacked	4.458m
Narrow Jacked	2.5m
Outrigger Loading	
Max Outrigger Force	178kN
Max Footplate Pressure with Manufacturer Supplied Ground Boards	3.41kg/cm square
Max Wind Speed	12.5m per second
Noise Level at Engine	97dB
Max Safe Working Load	600kg
Max Permissible Side Force	400 Newtons

For more information, or to hire this vehicle please contact;

☎ 0161 233 8100

✉ info@nssgroup.com

