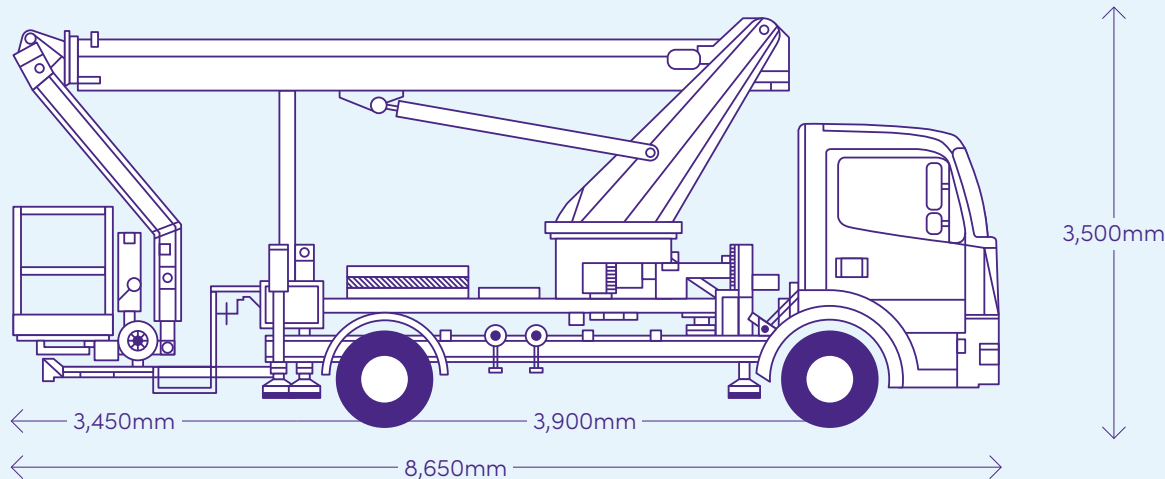


# Palfinger P300 KS

Truck mounted access platform



## Specialist Work at Height Solution

The 30m Palfinger is a proven workhorse capable of delivering on even the most testing of assignment. Operated by a qualified and experienced professional the unit provides a strong and stable work platform capable of being used in a variety of work environments and various industries.

This is one of the most flexible and capable 7.5 tonne machines on the market and benefits from the revolutionary Counter Slew boom Rotation mechanism.

## Standard equipment

7.5 Tonne

Operator Supplied as Standard

320kg (Approx 2-3 Persons plus tools) SWL

Fixed Working Cage 1.6m

Fully Variable H Frame Jacking - Full, One Sided and Narrow Jacking Options

Automatic Jacking & Cage Levelling

Slew Rotation 540 degrees

Cage Rotation 80 + 80 degrees

230/110v to Cage - Generator Required

# Palfinger P300 KS

Truck mounted access platform

## Technical specification

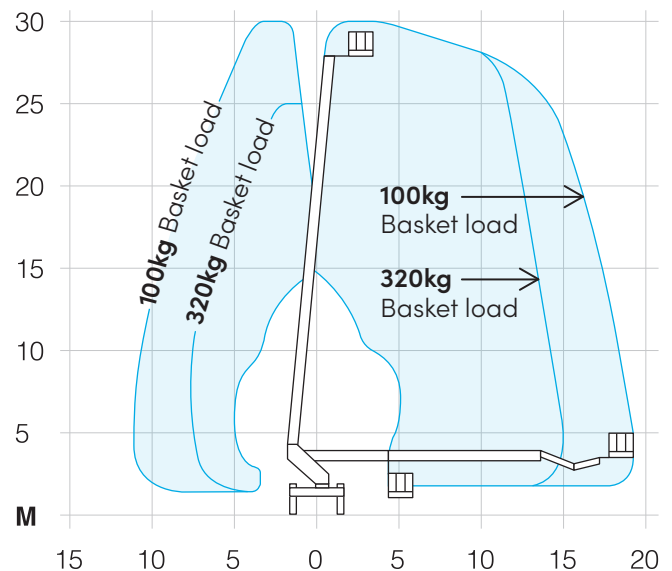
Model	<b>Palfinger P300 KS</b>
Max Working Height	<b>30m</b>
Max Side Outreach	<b>19.5m</b>
Travel Length	<b>8.65m</b>
Travel Width	<b>2.5m</b>
Travel Height	<b>3.5m</b>
Vehicle Weight	<b>7.5 tonne</b>

### Max Outrigger Width

Fully Jacked	<b>5m</b>
One-sided Jacked	<b>4.1m</b>
Narrow Jacked	<b>2.5m</b>

### Outrigger Loading

Max Outrigger Force	<b>67kN</b>
Max Wind Speed	<b>12.5m per second</b>
Noise Level at Engine	<b>85dB</b>
Max Safe Working Load	<b>350kg</b>
Max Permissible Side Force	<b>400 Newtons</b>



For more information, or to hire this vehicle please contact;

☎ 0161 233 8100

✉ [info@nssgroup.com](mailto:info@nssgroup.com)



**nss** **NATIONWIDE  
SPECIALIST  
SERVICES**

### NSS Head Office:

239 Ashley Rd, Hale, Altrincham, Greater Manchester WA15 9NE

T: 0161 233 8100 E: [info@nssgroup.com](mailto:info@nssgroup.com) [nssgroup.com](http://nssgroup.com)

Locations; Manchester / Leeds / Slough / Falkirk / Dartford