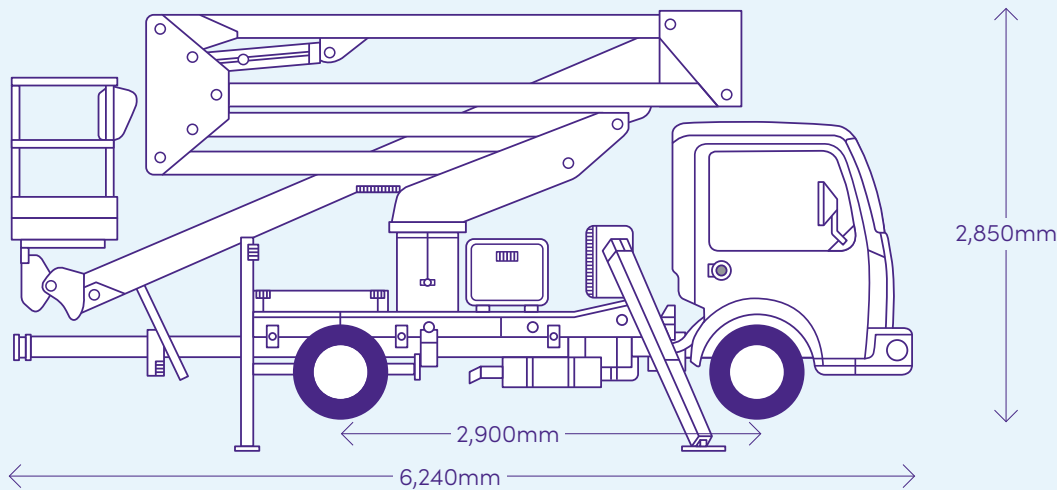


# Socage DA320

Truck mounted access platform



## Specialist Work at Height Solution

The 20m Socage provides exceptional flexibility when dealing with work at height problems. Available on both an Operated and Self drive basis, the unit provides a strong and stable work platform capable of being used in a variety of work environments and various industries.

This is one of the most flexible and capable 3.5 tonne machines on the market.

## Standard equipment

3.5 Tonne

Operator or Self Drive\*\* (Category B entitlement required and appropriate insurances)

225kg (Approx 1-2 Persons plus tools) SWL

Fixed Working Cage 1.4m

Fixed A Frame Jacking

Automatic Cage Levelling

Slew Rotation 360 degrees

Cage Rotation 90 + 90 degrees

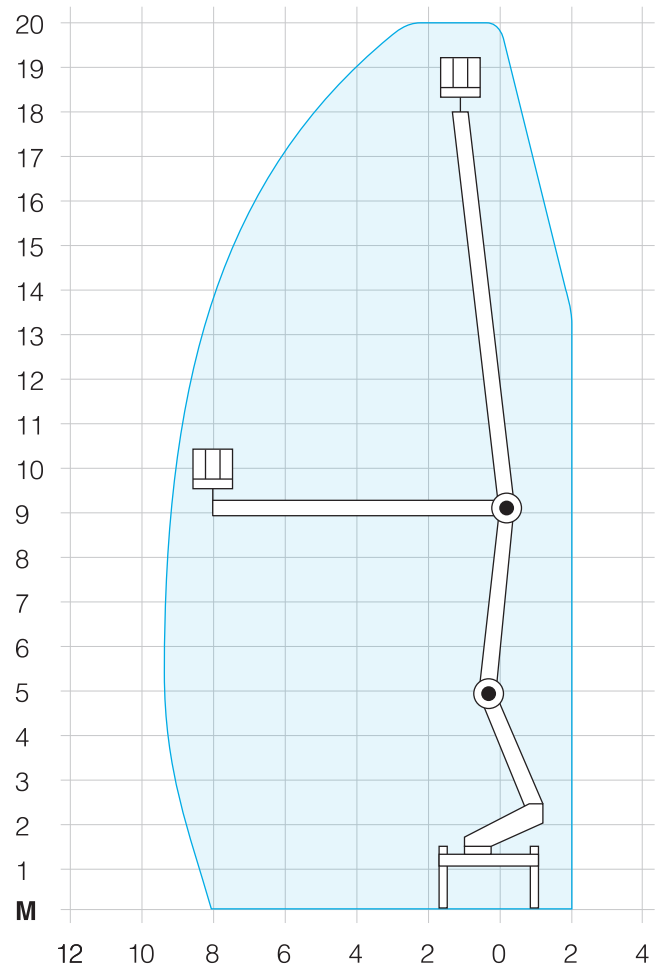
230/110v to Cage - Generator Required

# Socage DA320

## Truck mounted access platform

### Technical specification

Model	<b>Socage DA320</b>
Max Working Height	<b>20m</b>
Max Side Outreach	<b>9.5m</b>
Travel Length	<b>6.2m</b>
Travel Width	<b>2.3m</b>
Travel Height	<b>2.85m</b>
Vehicle Weight	<b>3.5 tonne</b>
<b>Max Outrigger Width</b>	
Fully Jacked	<b>2.83m</b>
<b>Outrigger Loading</b>	
Max Outrigger Force	<b>30kN</b>
Max Wind Speed	<b>12.5m per second</b>
Noise Level at Engine	<b>80dB</b>
Max Safe Working Load	<b>350kg</b>
Max Permissible Side Force	<b>400 Newtons</b>



For more information, or to hire this vehicle please contact;

☎ 0161 233 8100

✉ [info@nssgroup.com](mailto:info@nssgroup.com)

